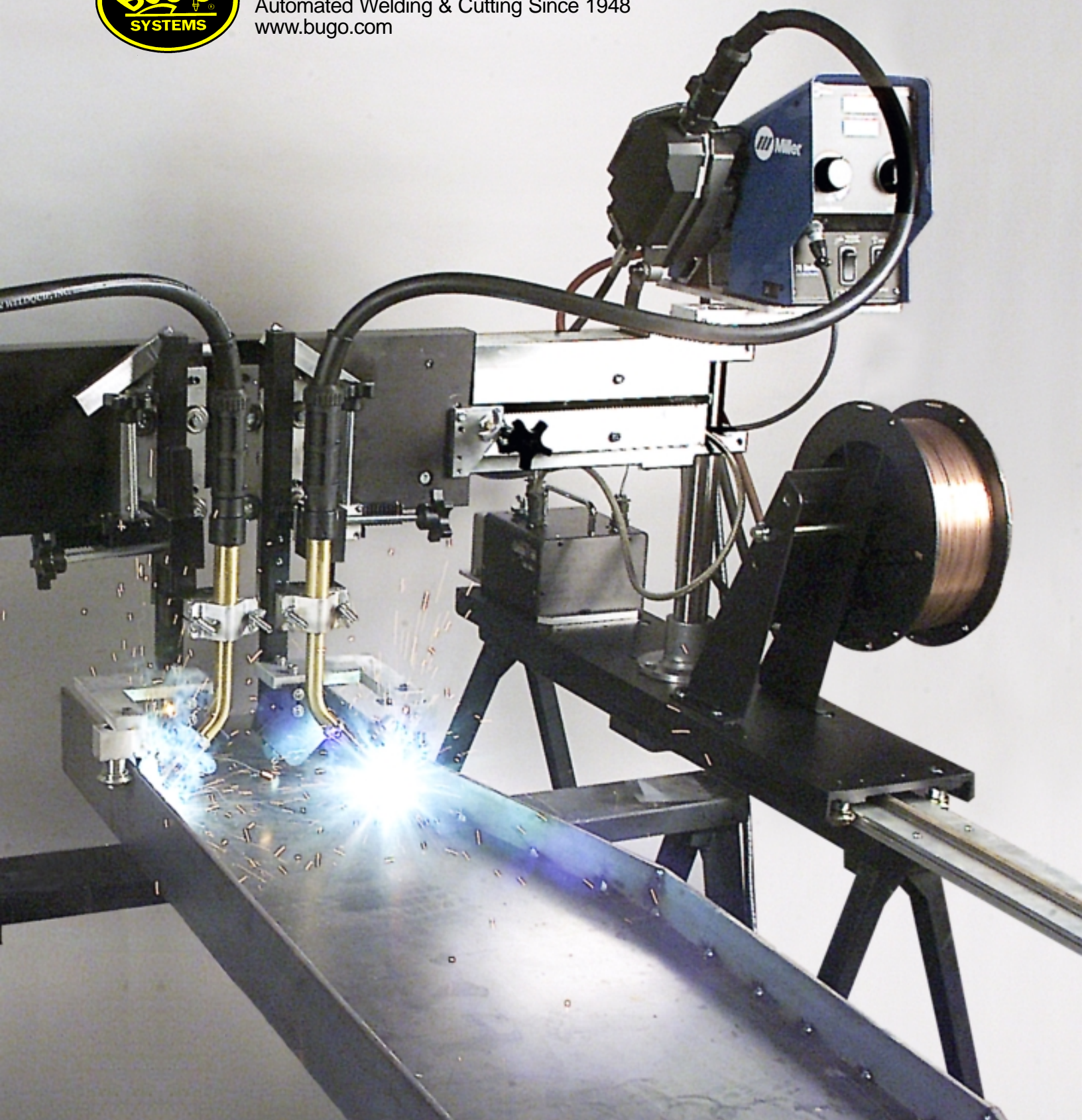

Bug-O Gantry / Side Beam Automatic Welding Systems



BUG-O SYSTEMS

Automated Welding & Cutting Since 1948

www.bug-o.com

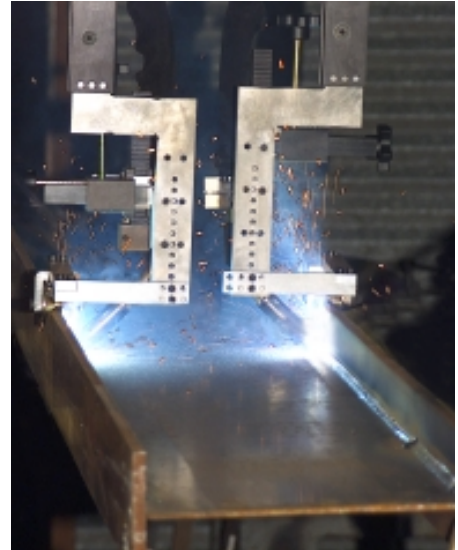
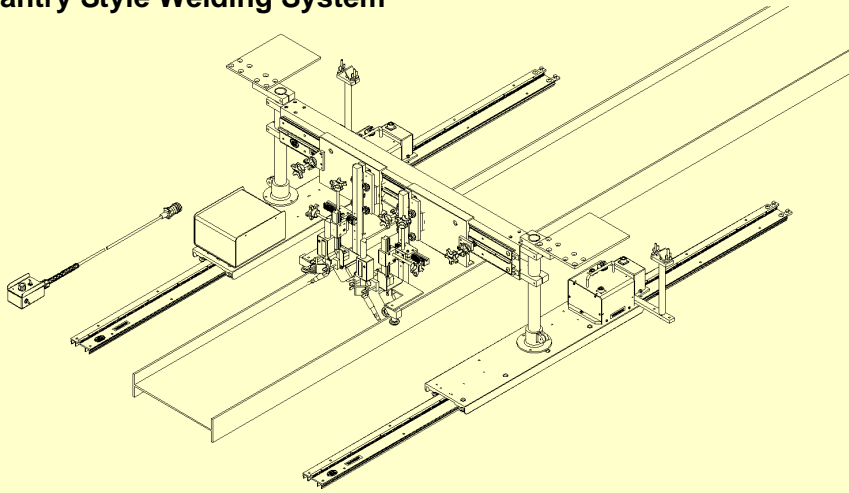




Bug-O Gantry / Side Beam Automatic Welding Systems

Bug-O Gantry and **Side Beam Units** are custom designed assemblies that are used in a variety of applications such as automated seam welding, beam and stiffener fabrication as well as cutting applications such as stripping and edge preparation. A wide range of gantry and side beam carriage designs are available and can be used to suite a specific application. Systems are available in programmable or manually operated versions. Consult your Bug-O distributor for more information.

Gantry Style Welding System



Mechanical torch tracking devices maintain proper torch position.

Side Beam Welding System

